

FLASH BAR™

MODULAR SYSTEMS

The Flash Bar allows you to quickly set up a unique and professional bar on the fly. The simple modular design allows you to expand the bar, literally shaping the serving area to fit your needs. The Flash Bar easily breaks down into pieces which makes transportation painless and the set up process quick and straightforward.

When the party's over simply detach and break down the bars and you're on your way.



The modular design of the Flash Bar allows it to be built to any shape and size. Each bar begins with **1 Straight or Circular Segment with End Caps**, then add as many additional bar segments as needed.



EXPIRES 3/11/25



Straight Segment

~~\$2,550~~ **\$2,295**



Circular Segment

~~\$2,825~~ **\$2,542.50**



2 FT Segment

~~\$1,825~~ **\$1,642.50**



90° Corner Segment

~~\$2,325~~ **\$2,092.50**



60° Corner Segment

~~\$2,155~~ **\$1,939.50**



Reverse 90° Corner Segment

~~\$1,850~~ **\$1,665**



ADA Segment

~~\$4,225~~ **\$3,802.50**



End Cap Kit

~~\$695~~ **\$625.50**

10% Show Discount price offer in Red expires 3/11/25. Retail Price is In Gray.



3111 Camino Del Rio North
Suite 400
San Diego, CA 92108
theportablebarcompany.com

Call Us Today
877-946-7975

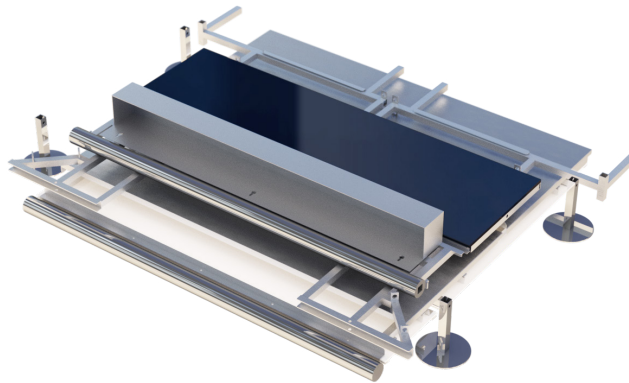
FLASH BAR™

MODULAR SYSTEMS

Each segment breaks down for easy transport & storage



No tools required on most segments for breakdown or setup



10% Show Discount price offer in Red expires 3/11/25. Retail Price is In Gray.



3111 Camino Del Rio North
Suite 400
San Diego, CA 92108
theportablebarcompany.com

Call Us Today
877-946-7975

Preferred solutions for bartenders, events, and brands.



Rolling Base for the Flash Bar

For Straight, Circular & 90° Corner Segments

ORDER TODAY
& GET A
**10%
DISCOUNT**

EXPIRES 3/11/25



The wheel base is made of durable stainless steel and features heavy-duty 3" locking casters.

For Straight or 90° Corner Segments \$995 **\$895.50**

For Circular Segment \$1,250 **\$1,125**



The Flash Bar Wheel Base is ideal for event spaces with an open floor plan and a flat, hard floor such as convention centers, ballrooms, and lounges. With the fully assembled Flash Bar on wheels, any pair of staff members can easily unlock the wheels, move the flash bar, and lock the wheels back into place.

10% Show Discount price offer in Red expires 3/11/25. Retail Price is In Gray.

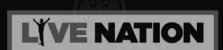


3111 Camino Del Rio North
Suite 400
San Diego, CA 92108
theportablebarcompany.com

Call Us Today

877-946-7975

Preferred solutions for bartenders, events, and brands.



Flash Bar with Locking Doors



**Straight Segment w/
Locking Doors**

~~\$3,750~~ **\$3,375**

Locking Door Kit

~~\$3,085~~ **\$2,776.50**

Middle Shelf

~~\$250~~ **\$225**



EXPIRES 3/11/25

10% Show Discount price offer in Red expires 3/11/25. Retail Price is In Gray.



3111 Camino Del Rio North
Suite 400
San Diego, CA 92108
theportablebarcompany.com

Call Us Today

877-946-7975

Preferred solutions for bartenders, events, and brands.



Flash Bar Backbar

This new back bar can be used on its own or as a support unit behind your Flash Bar. The Large Back Bar is modular meaning multiple back bars can be combined to create as much storage space as needed. One single back bar can be assembled by two people in ten minutes. These units have optional colored or mirrored acrylic panel options, LEDs, additional shelving and locking doors. This back bar is elegant enough to fit in at any establishment!



BACKBAR INCLUDES

- 1 Lower Side Frame with Feet
- 1 Upper Side Frame
- 2 Stainless Steel Working Shelves
- 2 Stainless Steel Upper Display Shelves
- 1 White Acrylic Panel
- 1 Stainless Steel Electrical Box with GFCI Electrical Cord

END CAP KIT INCLUDES

- 1 Lower Side Frame with Feet
- 1 Upper Side Frame
- 1 Set Stainless Steel End Caps (Left & Right)

WITHOUT TOP SIGN 59.31" x 74.89" x 36"

WITH TOP SIGN 59.31" x 87.86" x 36"



EXPIRES 3/11/25

STARTING PRICE

Flash Bar Backbar	\$4,075	\$3,667.50
Backbar End Cap	\$895	\$805.50

PANEL UPGRADES

White / Black Acrylic	\$0	\$0
Laminate	\$1,150	\$1,035.00
Textured Vinyl Print	\$495	\$445.50

BACK BAR UPGRADES

Door Kit	\$795	\$715.50
Middle Shelf	\$575	\$517.50
LED Kit	\$675	\$607.50
LED Kit (no battery)	\$400	\$360.00

BACK BAR TOP SIGN UPGRADES

White/Black Acrylic

Regular	\$515	\$463.50
Large	\$715	\$643.50

Laminate

Regular	\$715	\$643.50
Large	\$835	\$751.50

Textured Vinyl Print

Regular	\$840	\$756.00
Large	\$1,140	\$1,026.00

Vinyl Print *

Regular	\$250	\$225.00
Large	\$265	\$238.50

* Add printing cost to top sign material cost



10% Show Discount price offer in Red expires 3/11/25. Retail Price is In Gray.



3111 Camino Del Rio North
Suite 400
San Diego, CA 92108
theportablebarcompany.com

Call Us Today
877-946-7975

Preferred solutions for bartenders, events, and brands.



Jockey Box

ORDER TODAY
& GET UP TO
**20%
DISCOUNT**

EXPIRES 3/11/25

Our stainless-steel Jockey Box is a portable solution for serving high volume amounts of beer on the go. Designed for commercial use, it's the ideal solution for caterers, craft brewers, restaurants, or hotels looking to offer ice cold draft beer at their portable bar set up.

Simply add ice and water to the insulated housing and hook it up to a standard CO2 system. The box works by cooling the beer down to a frosty temperature as it passes through the 120' stainless steel coil. The Jockey Box is ideal for dispensing ice cold beer during outdoor festivals, beer gardens, tailgating and any pop up event.

This Jockey Box was designed with high end standards of the craft beer industry. We picked the 120' long coils over the standard 90' coils because they produce a colder pour and less foam. This decreases beer waste.

Each Jockey Box includes two taps with all of the shanks, coils and faucets being made of 304 stainless steel and all beer lines being made of food-grade Thermoplastic vinyl hose. This means one Jockey Box can serve two different beers simultaneously. (*CO2 tank, regulator, keg couplers and cleaning system not included but available for purchase)

The Jockey Box is an attractive alternative to the typical "red cooler" look and provides a clean stainless steel look that will help you stand out from the competition!



Jockey Box ~~\$1,349~~ **\$1,079.20**

Jockey Box Full System ~~\$1,634~~ **\$1,364.20**

Cleaning Kit ~~\$271.75~~ **\$244.58**

Dimensions **23.25" x 10.75" x 22.75"**
With Drip Tray Installed

Weight **65 lbs**

10% Show Discount price offer in Red expires 3/11/25. Retail Price is In Gray.



3111 Camino Del Rio North
Suite 400
San Diego, CA 92108
theportablebarcompany.com

Call Us Today
877-946-7975

Preferred solutions for bartenders, events, and brands.



Stainless Steel Fold & Roll Back Bar



The Stainless Steel Fold & Roll Back Bar enhances mobile bartending spaces with additional display, storage, and workspace. It's easy to set up and disassemble, similar to a portable bar, and it complements the Heavy Duty Stainless Steel Bar and Flash Bar beautifully.

FEATURES

- Stainless Steel frame (Tubular design)
- Translucent white or solid black acrylic panels
- Two upper display shelves
- Lower storage cabinet with removable and lockable swinging doors.
- Three removable flat stainless steel inserts.
 - Six heavy-duty lockable 4" thermo rubber-plated casters
 - Covers (for folded and assembled positions)
 - Optional Stainless Steel ice bin with slide top lid and drain tank fits (interchangeable with any of the 3 flat stainless steel inserts)
 - Optional Remote controlled LED shelf lighting for upper display
 - Optional Rechargeable 8-hour battery for LEDs
- Optional Panel Options
 - Vinyl Printing
 - Textured vinyl print panels
 - Custom laminate panels



EXPIRES 3/11/25

OPEN 68" Wide x 80" Tall x 31" Deep

FOLDED 69" Wide x 51" Tall x 25" Deep

WEIGHT 480 lbs

CASTER 4"

STARTING PRICE

~~\$9,685~~ **\$8,716.50**

WORK SURFACE UPGRADES

Ice Bin Kit + Tank	\$1,150	\$1,035
Flat Panel x 3 *	(\$245)	(\$220.50)

* Flat Panel x3 is included in the starting price.
Deduct price when another option is selected

PANEL & LED UPGRADES

White / Black Acrylic	\$0	\$0
Laminate	\$1,100	\$990.00
Textured Vinyl Print	\$775	\$697.50
Custom Printing **	\$640	\$576.00
LED Kit (Upper Display Shelves)	\$500	\$450.00

** Add printing cost to panel upgrade cost



10% Show Discount price offer in Red expires 3/11/25. Retail Price is In Gray.



3111 Camino Del Rio North
Suite 400
San Diego, CA 92108
theportablebarcompany.com

Call Us Today
877-946-7975

Preferred solutions for bartenders, events, and brands.



Curved Counter Stainless Steel Heavy Duty Bar

High-Volume | Heavy-Duty | Suitable for Outdoor Use

HIGH-QUALITY STAINLESS STEEL

The Stainless Steel Heavy-Duty Fold and Roll Bar offers weather resistance that makes it suitable for use as a commercial outdoor bar.

With a frame constructed of high-quality 304 stainless steel, this bar is stylish and easy to wipe down.

CUSTOMIZABLE LOOK

Interchangeable Panel Options – acrylic, textured vinyl print, laminate or stainless steel – allow the bar look to be customized. Each option can be branded with vinyl printing.

Attract more attention to the bar with the 8 Color LED Upgrade.



EXPIRES 3/11/25



STARTING PRICE

Curved Counter	\$9,210	\$8,289
Straight Counter	\$8,410	\$7,569

CUSTOM PANEL UPGRADES

Stainless Steel	FRONT & SIDES	\$0	\$0
White/Black Acrylic	SIDES	\$300	\$270
Textured Vinyl Print	FRONT	\$825	\$742.50
	SIDES	\$345	\$310.50
Laminate Panels	FRONT	\$1,050	\$945.00
	SIDES	\$600	\$540.00

CUSTOM PRINTING

Front Only	\$355	\$319.10
Front & Sides	\$625	\$562.50

CURVED COUNTER

ASSEMBLED / OPEN	86" Wide x 45.5" Tall x 44" Deep
FOLDED	70" Wide x 45" Tall x 26" Deep
WEIGHT	386 lbs

STRAIGHT COUNTER

70" Wide x 45.5" Tall x 40" Deep
70" Wide x 45" Tall x 26" Deep
375 lbs

10% Show Discount price offer in Red expires 3/11/25. Retail Price is In Gray.



3111 Camino Del Rio North
Suite 400
San Diego, CA 92108
theportablebarcompany.com

Call Us Today
877-946-7975

Curved Counter Stainless Steel Heavy Duty Bar

High-Volume | Heavy-Duty | Suitable for Outdoor Use

CUSTOMIZABLE WORKSURFACE

This bar offers one of our most versatile workspaces. It is divided into left, right, and center sections so you can create your ideal mix of washing, ice storage, and flat workspace.

ORDER TODAY
& GET A
**10%
DISCOUNT**

EXPIRES 3/11/25



TOUGH ENOUGH TO BE MOVED WHILE FULLY STOCKED

This bar has 6 x 5" heavy duty plated casters, is tough enough to be moved while fully stocked.

IDEAL FOR HIGH-VOLUME VENUES

This portable bar is designed to support up to 2 bartenders serving beer, wine and cocktails. It is ideal for high volume venues including stadium, hotels, country clubs and convention centers which require portable bars that can be moved during events.



WORK SURFACE UPGRADES

Ice Bin Kit	\$975	\$877.50
Ice Bin Kit w/ Tank	\$1,150	\$1,035.00
Self Contained Sink (Room Temp)	\$1,550	\$1,395.00
Self Contained Sink (Hot & Room Temp)	\$2,170	\$1,953.00
Flat Panel x 3 *	(\$245)	(\$220.50)

* Flat Panel x3 is included in the starting price. Deduct price when another option is selected

OTHER UPGRADES

Work Surface Lighting	\$125	\$112.50
Link Kit (for straight counters)	\$50	\$45.00
Umbrella Bracket	\$250	\$225.00
Umbrella	\$255	\$229.50

10% Show Discount price offer in Red expires 3/11/25. Retail Price is In Gray.



3111 Camino Del Rio North
Suite 400
San Diego, CA 92108
theportablebarcompany.com

Call Us Today

877-946-7975

Preferred solutions for bartenders, events, and brands.



Standard Portable Bar

Economical, Durable, Light Weight, Brand-able



The Standard Bar is perfect for event catering and mobile bartending businesses that serve small to medium parties (up to 150 people). With a length of over 5 feet, two bartenders can work simultaneously behind it. It weighs 170 lbs, so it's easy to load in and out of trucks or vans.

FEATURES

- Available in white or black powder coat frame
- Heavy duty steel construction
- Interchangeable Panels - Translucent white acrylic, colored acrylic, custom graphics or laminates
- Elongated panels hide casters from view
- Folds down to 13"
- 2 minute set up time
- Optional LEDs
- Customizable Panels are detachable for easy transportation
- Cover (Folded) Included

OPEN 63.5" Wide x 49.5" Tall x 35" Deep

FOLDED 68" Wide x 51.5" Tall x 13" Deep

WEIGHT 170 lbs

CASTER 3"



EXPIRES 3/11/25

STARTING PRICE

~~\$2,395~~ **\$2,155.50**

CUSTOM PANEL UPGRADES

White/Black Acrylic	FRONT & SIDES	\$0	\$0
Textured Vinyl Print	FRONT & SIDES	\$900	\$810
Laminate Panels	FRONT & SIDES	\$1,300	\$1,170
	COUNTER	\$330	\$297

CUSTOM PRINTING

Full	\$595	\$535.50	Front & Counter	\$475	\$427.50
Front	\$355	\$319.50	Front & Sides	\$475	\$427.50

STAINLESS STEEL ICE BIN

NO Tank	\$675	\$607.50
WITH Tank	\$850	\$765.00

10% Show Discount price offer in Red expires 3/11/25. Retail Price is In Gray.



3111 Camino Del Rio North
Suite 400
San Diego, CA 92108
theportablebarcompany.com

Call Us Today

877-946-7975

Preferred solutions for bartenders, events, and brands.

