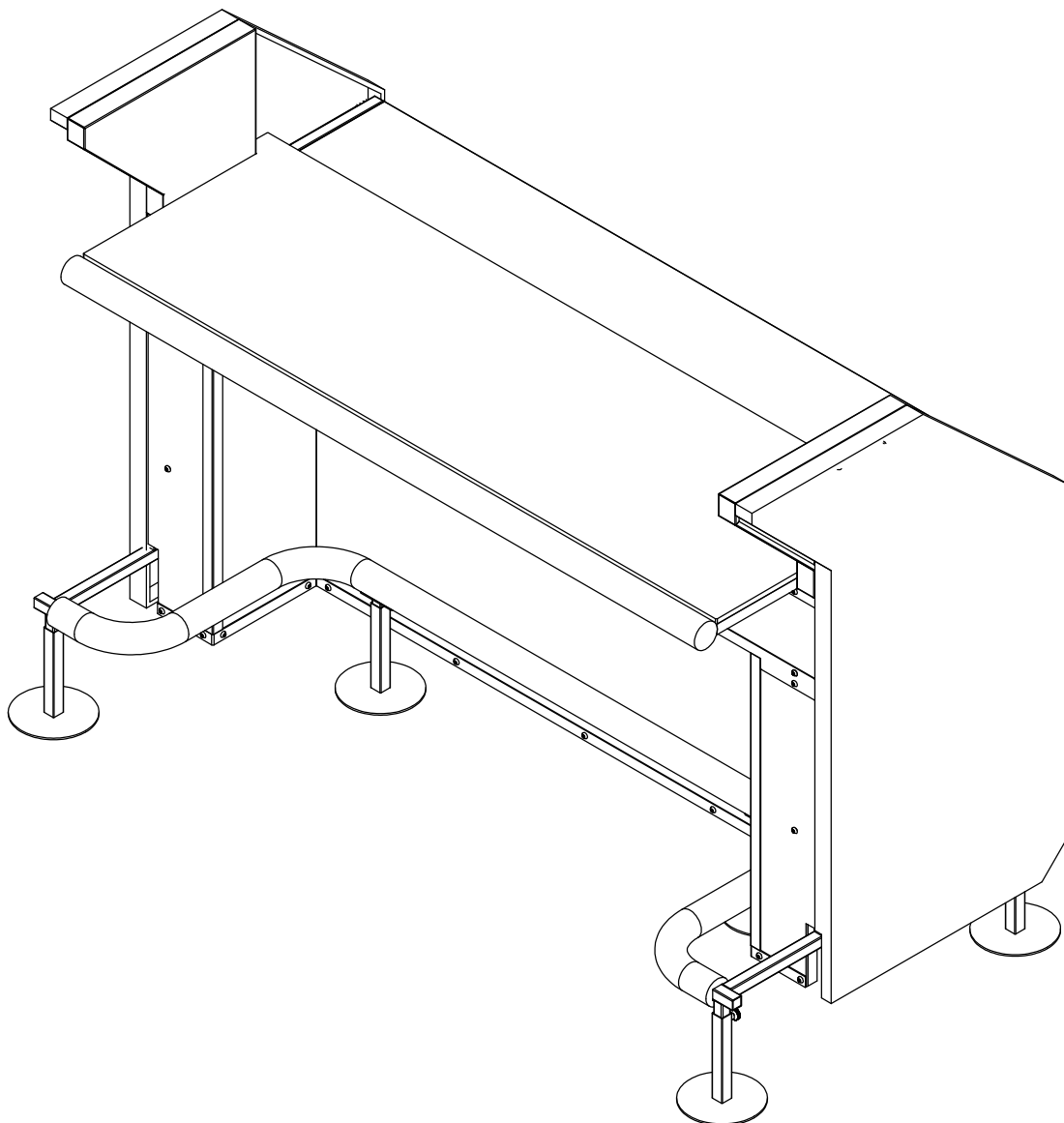


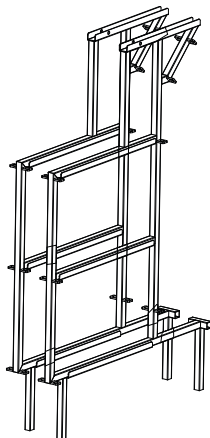
THE
HOSTESS
STATION

TO GO COUNTER SETUP GUIDE

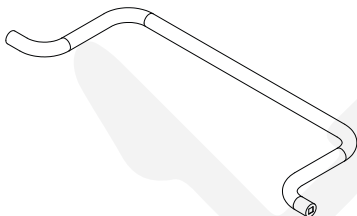


- **Read all the instructions before installing.**
- **Remove all packing materials before you start.**
- **This installation requires basic mechanical skills.**
- **Proper installation is the responsibility of the installer**
- **Product failure due to improper installation is not covered under the warranty**
- **Keep this instruction manual.**

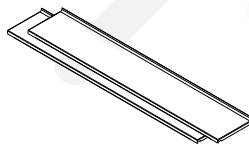
Side Frame
QTY: 2



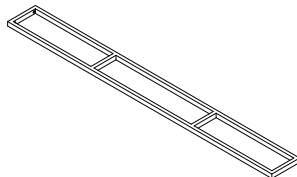
Foot Rail
QTY: 1



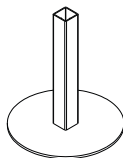
Shelf
QTY: 2



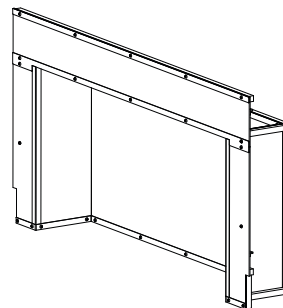
Counter Bracket
QTY: 1



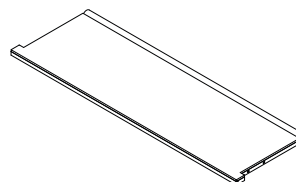
Feet
QTY: 5



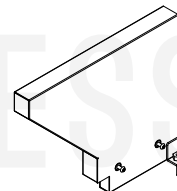
ACP Panel
QTY: 1



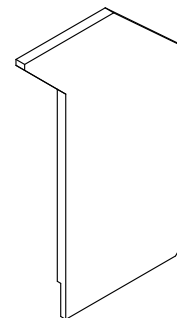
Counter
QTY: 1



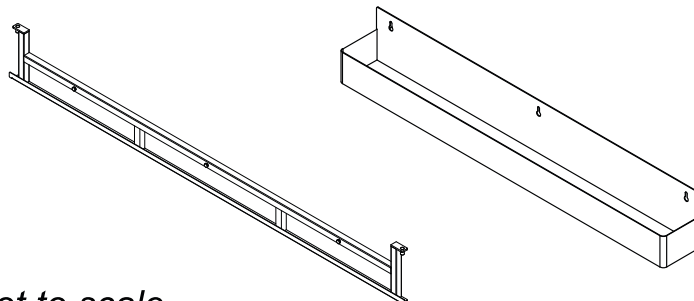
Top end cap
QTY: 2



End cap
QTY: 2



Speed Rail and bracket
QTY: 1ea (Optional accessory)



Note: Parts are not to scale.

STEP 1: First install the tee brackets on the foot rail, as shown below. After installing the brackets proceed to install both feet by just sliding them in. Fix them in place by tightening the thumb screw.

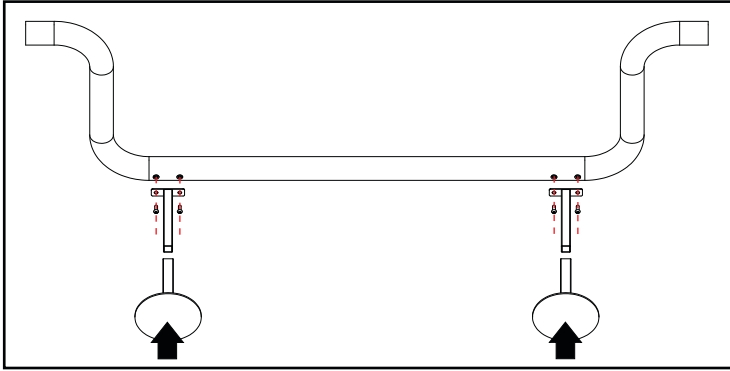


Figure 1

STEP 2: Install the feet on the sides frames by just sliding them in. Fix them in place by tightening the thumb screw on each foot.

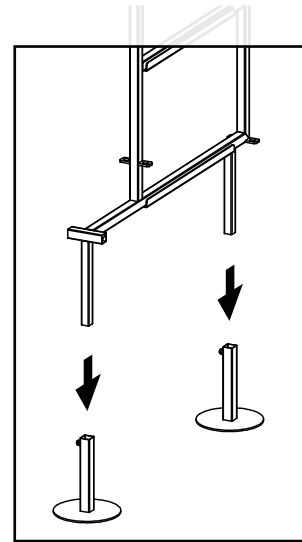


Figure 2

STEP 3: Install the foot rail as shown below:

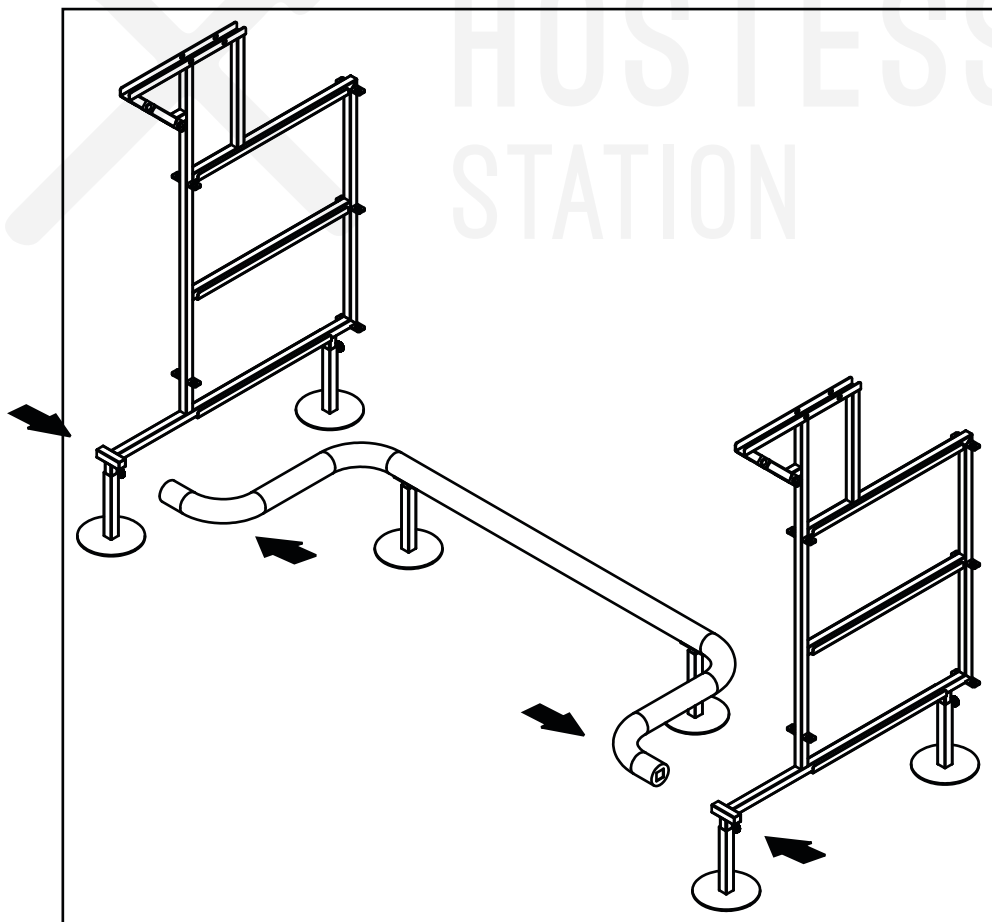


Figure 3

STEP 4: Slide in the ACP panel by aligning the posts on the panel with the tabs on the side frame.

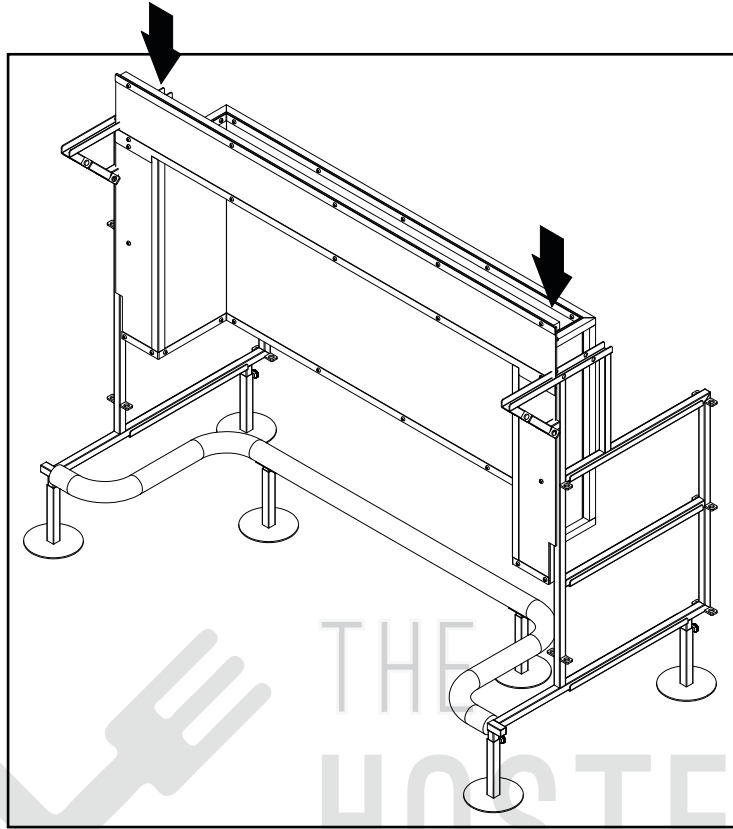


Figure 4

STEP 5: Install top endcap by placing it on top of the side frame as shown below:

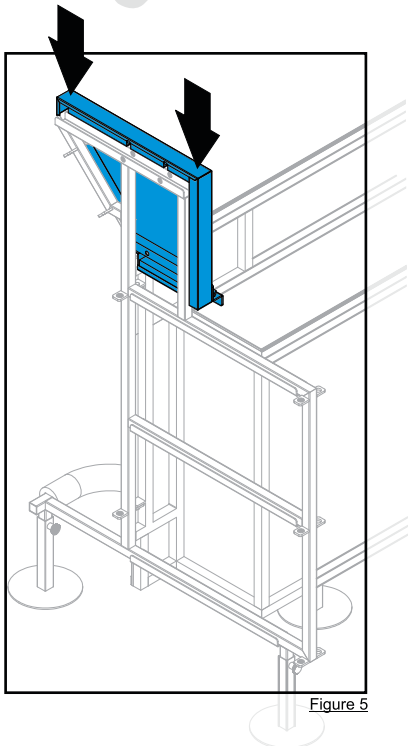


Figure 5

STEP 6: Secure the endcap by installing two pins on the side.

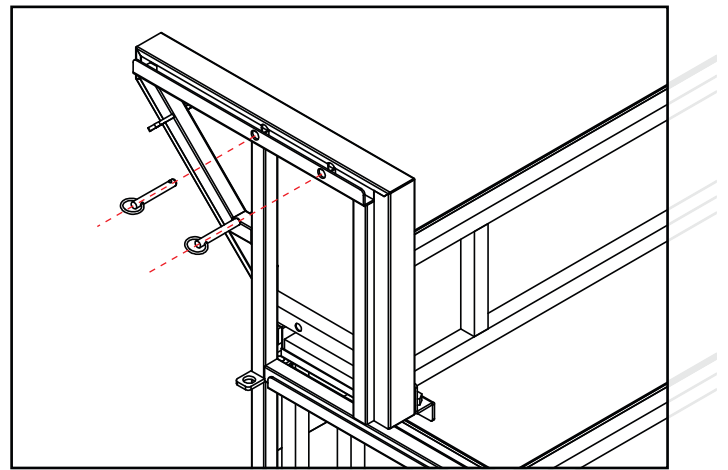


Figure 6

STEP 7: Fix in place the endcap by installing the bracket as shown below. Tighten the bracket with the thumbscrew.

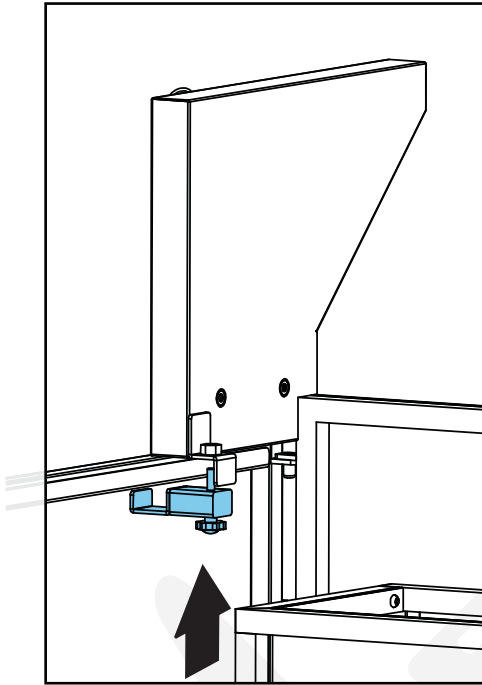


Figure 7

STEP 9: Install the speed rail bracket by aligning the posts on the bracket with the tabs on the side frame.

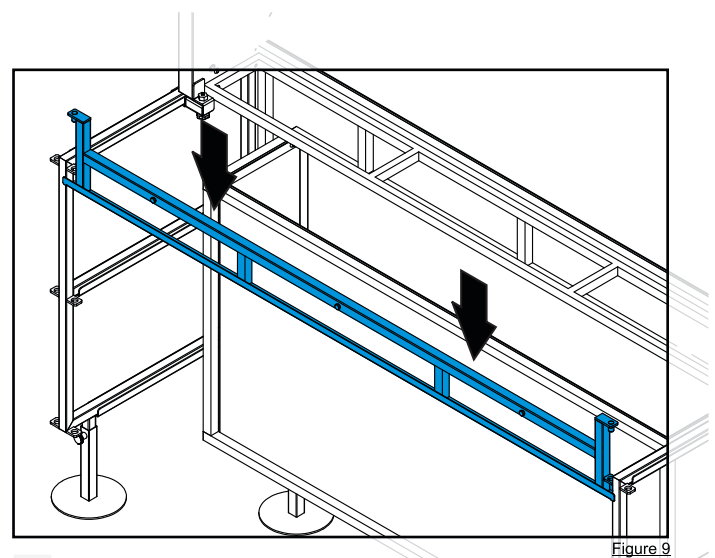


Figure 9

STEP 8: To install the counter bracket use the provided hex head screws to fix it in place.

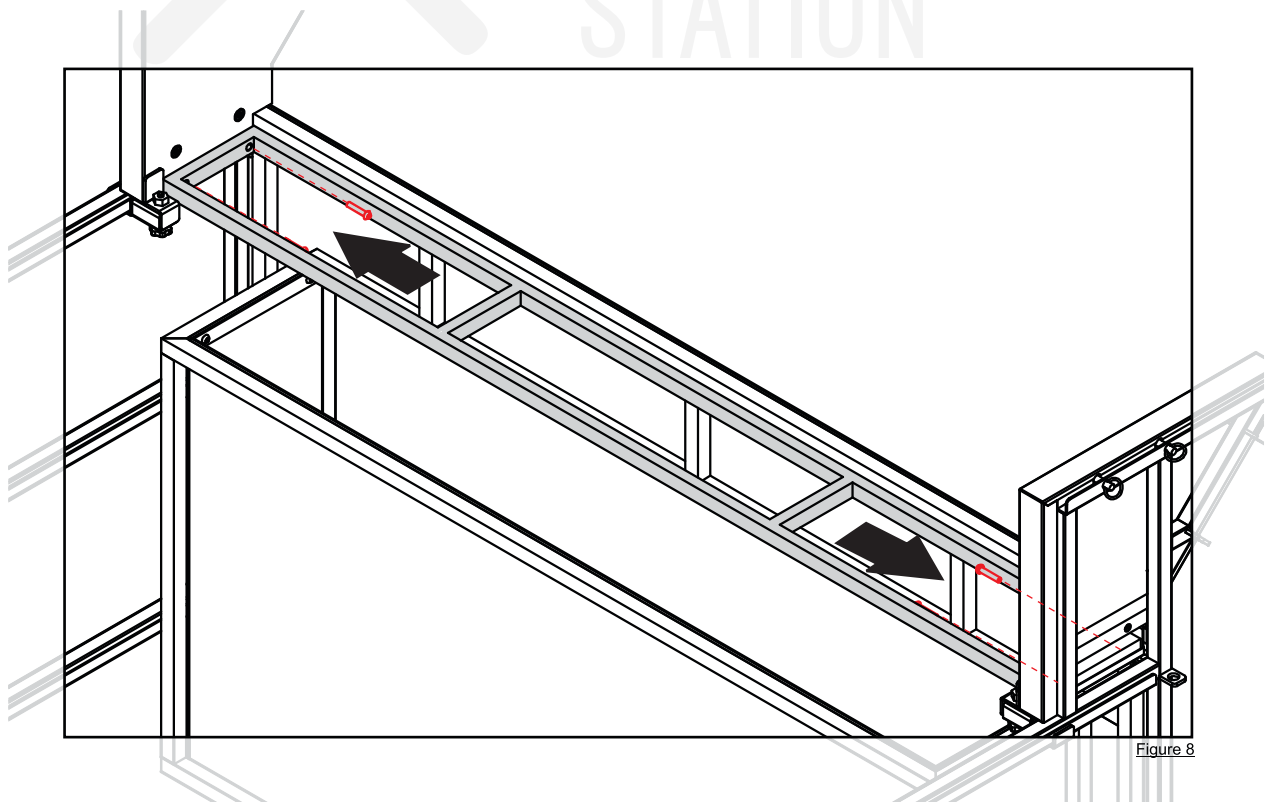


Figure 8

STEP 10: Put the shelves in place by sliding them in the side-frame channels.

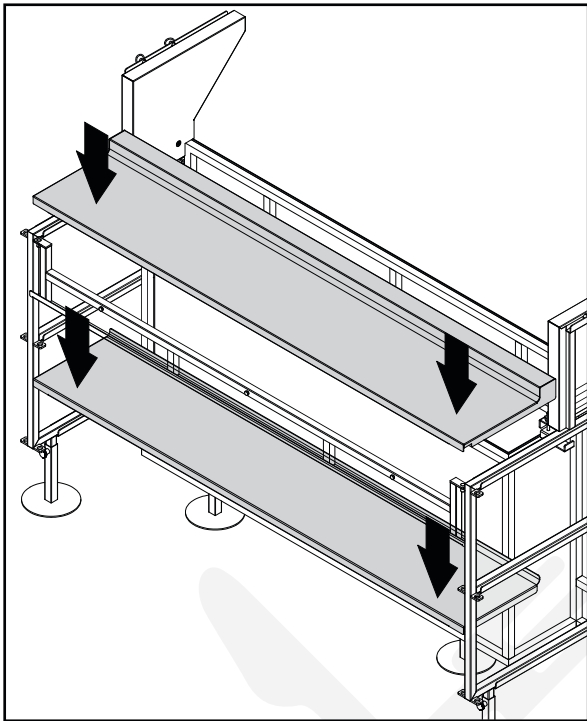


Figure 10

STEP 11: Place the counter on top of the side frames by aligning it with the channels on the side frames.

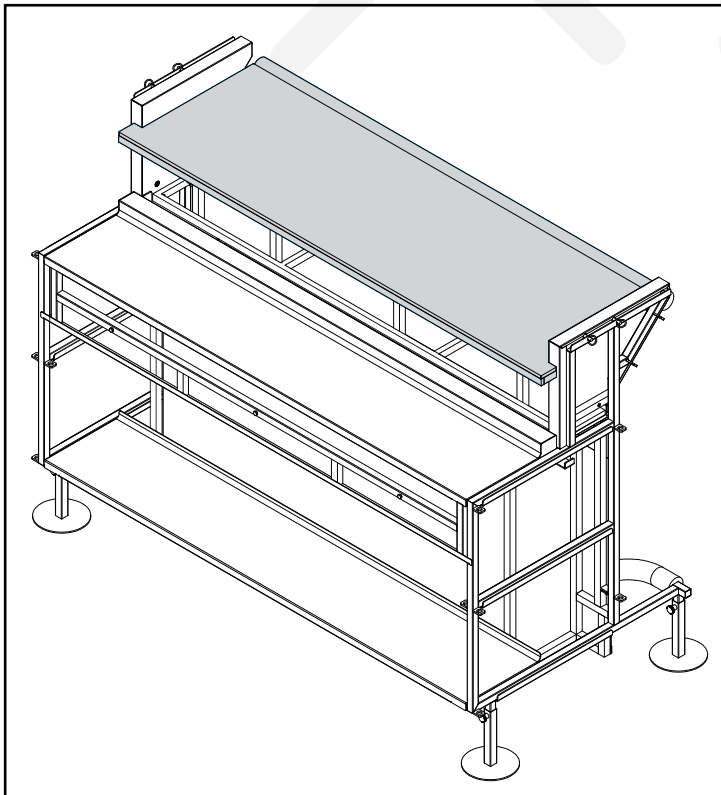


Figure 11

STEP 12: Use locking pins to help secure the counter in place, as shown below:

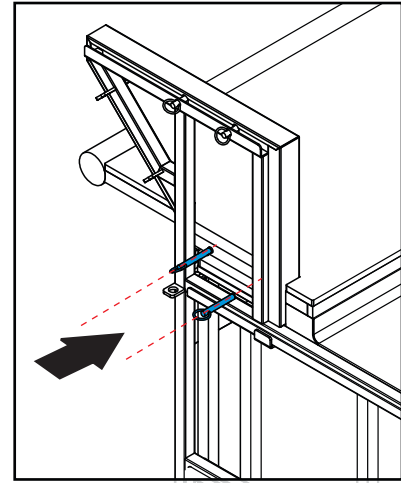


Figure 12

STEP 13: Hang the speed rail from the posts located on the bracket, as shown below:

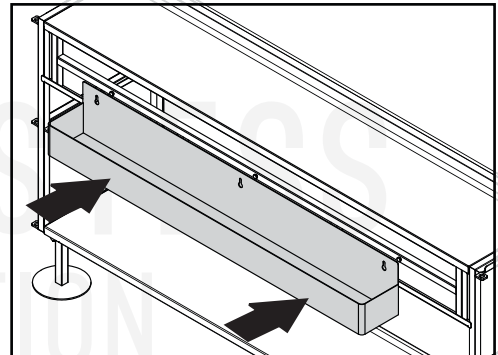


Figure 13

STEP 14: Install end cap by aligning its posts with the brackets on the side frame.

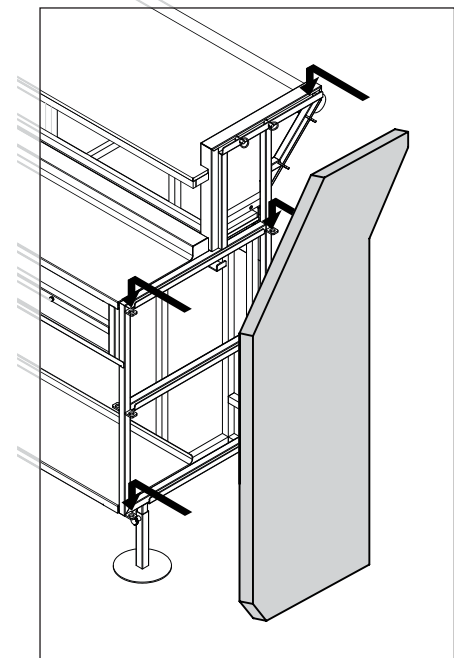
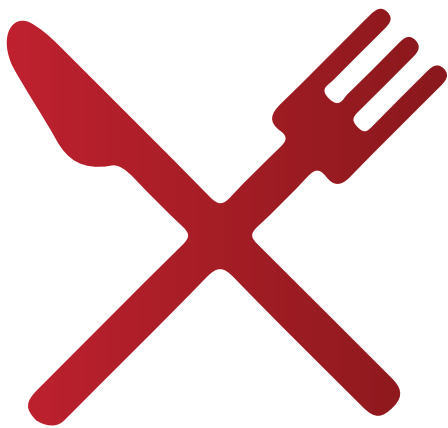


Figure 14



THE
HOSTESS
STATION

Contact us

Tel # 844-873-1400

E-mail: info@thehostessstation.com

Visit us at

www.thehostessstation.com

