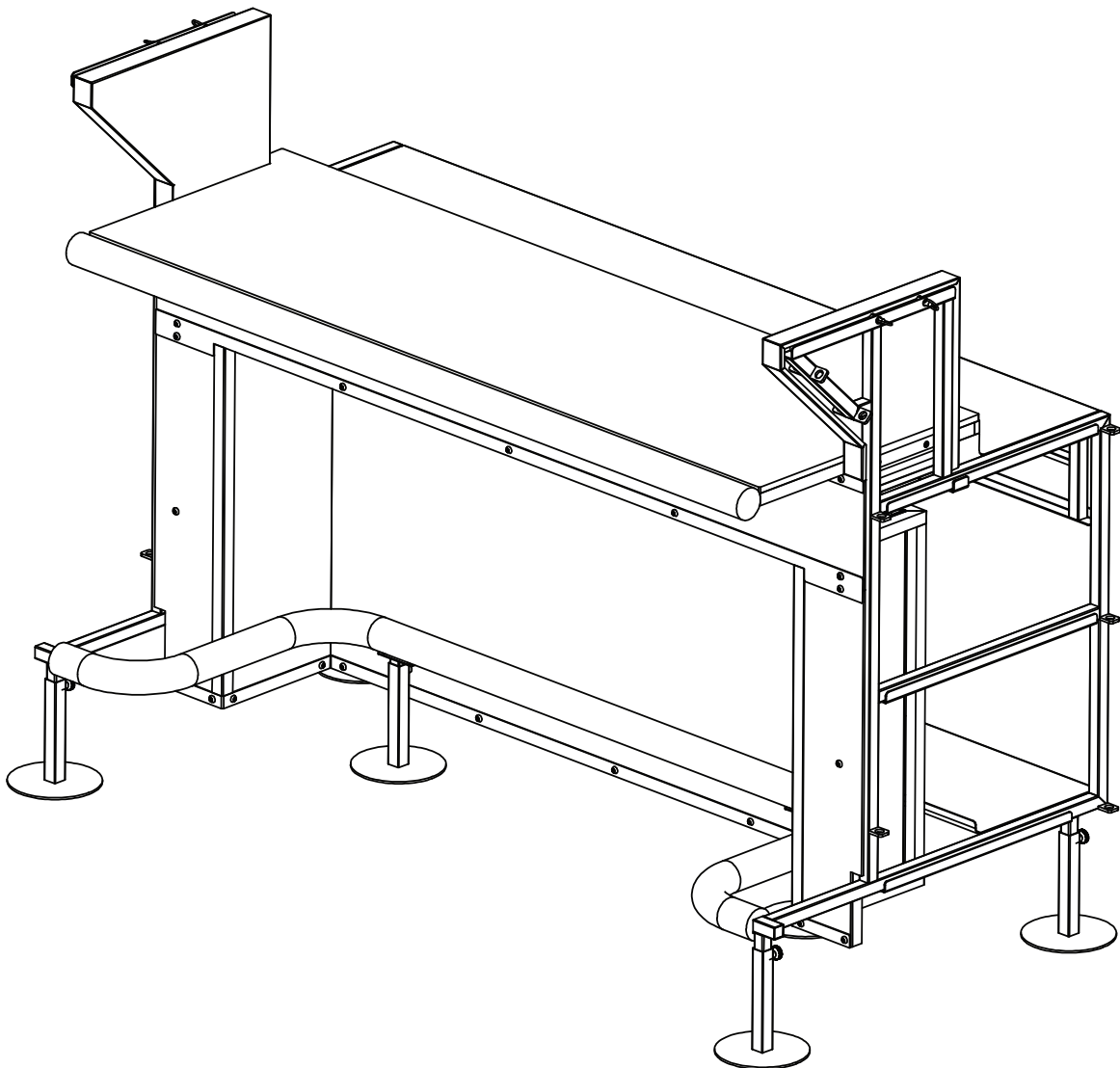




THE  
**HOSTESS**  
STATION

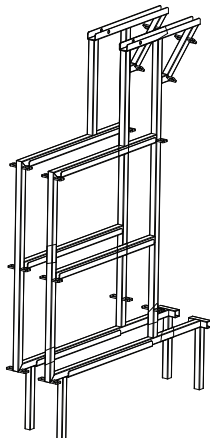
**TO GO COUNTER SETUP GUIDE**



- **Read all the instructions before installing.**
- **Remove all packing materials before you start.**
- **This installation requires basic mechanical skills.**
- **Proper installation is the responsibility of the installer**
- **Product failure due to improper installation is not covered under the warranty**
- **Keep this instruction manual.**

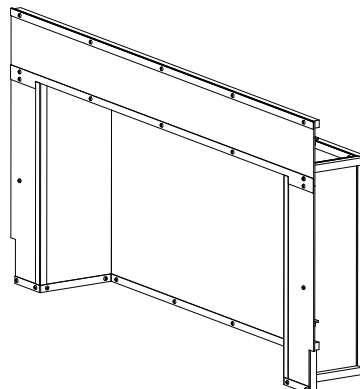
Side Frame

QTY: 2



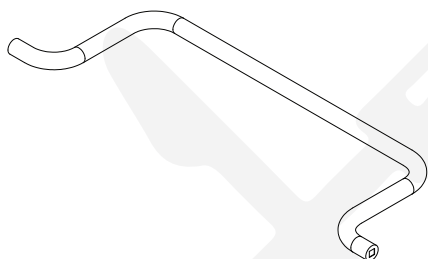
ACP Panel

QTY: 1



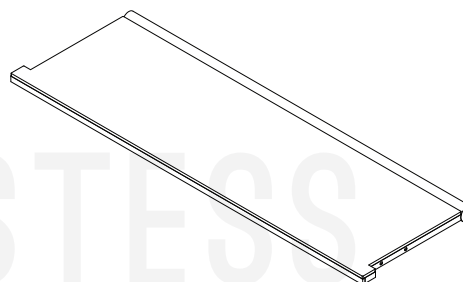
Foot Rail

QTY: 1



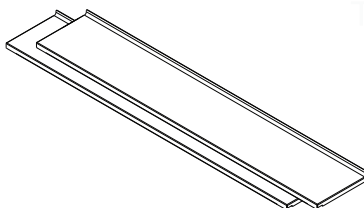
Counter

QTY: 1



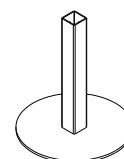
Shelf

QTY: 2



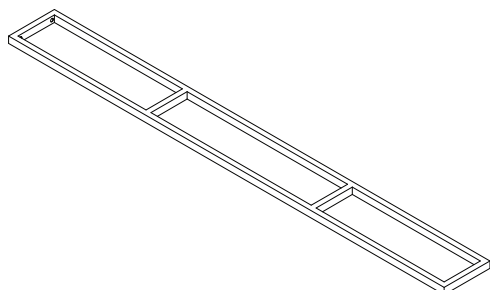
Feet

QTY: 5



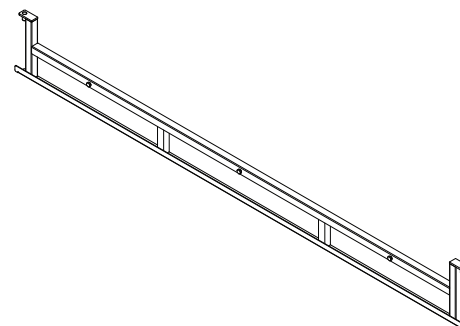
Counter Bracket

QTY: 1



Speed Rail Bracket

QTY: 1



*Note: Parts are not to scale.*

**STEP 1:** First install the tee brackets on the foot rail, as shown below. After installing the brackets proceed to install both feet by just sliding them in. Fix them in place by tightening the thumb screw.

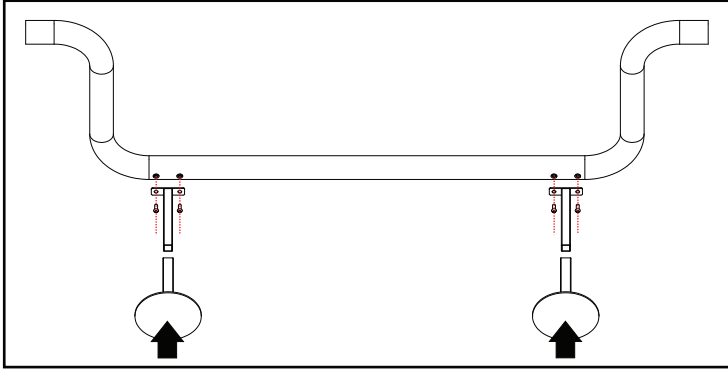


Figure 1

**STEP 2:** Install the feet on the sides frames by just sliding them in. Fix them in place by tightening the thumb screw on each foot.

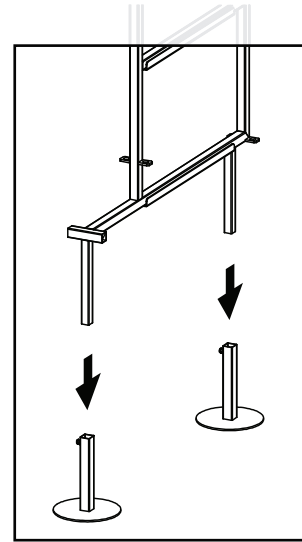


Figure 2

**STEP 3:** Install the foot rail as shown below:

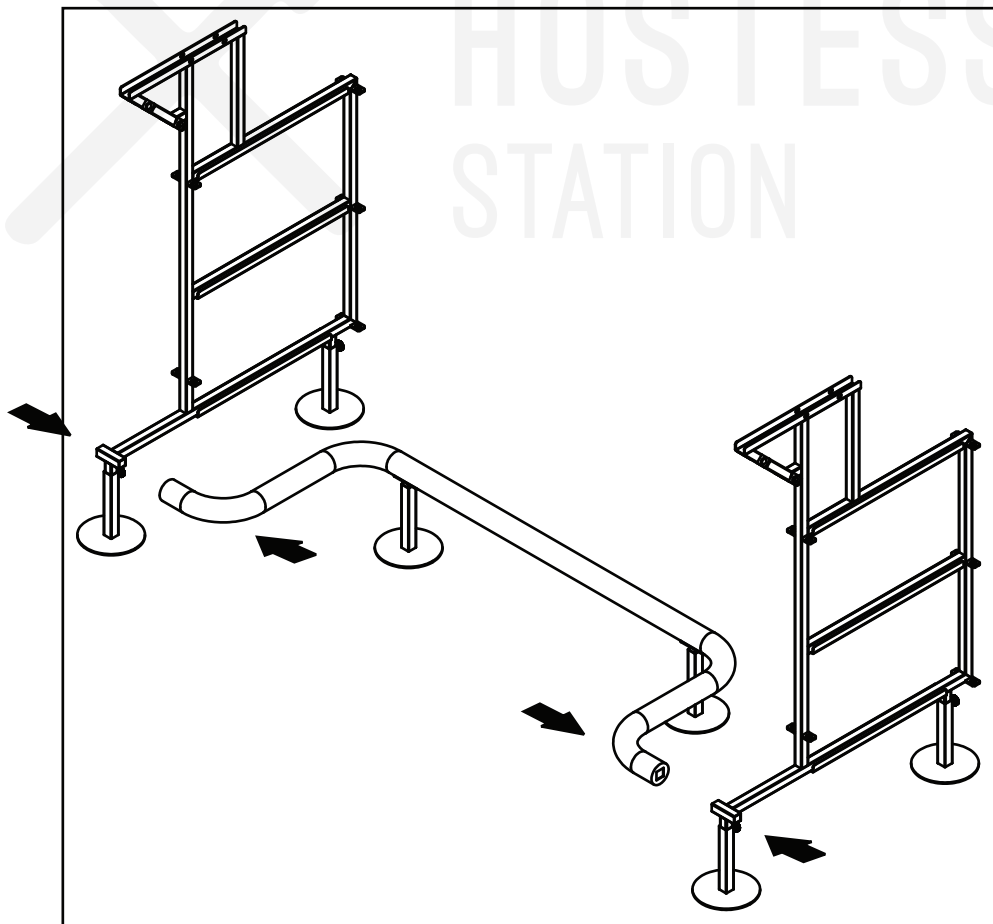


Figure 3

**STEP 4:** Slide in the ACP panel by aligning the posts on the panel with the tabs on the side frame.

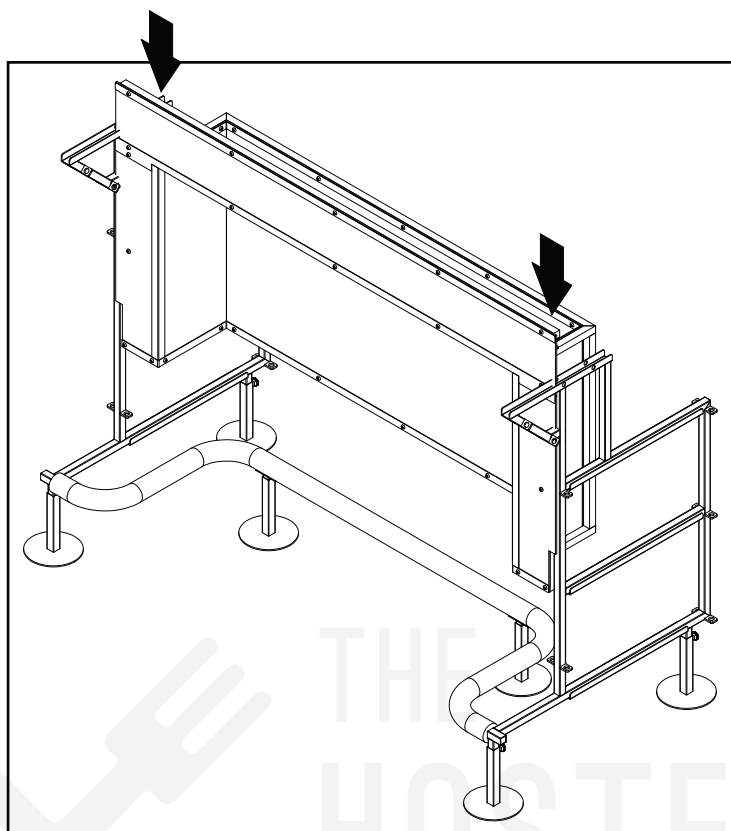


Figure 4

**STEP 5:** Install the endcap by placing it on top of the side frame as shown below:

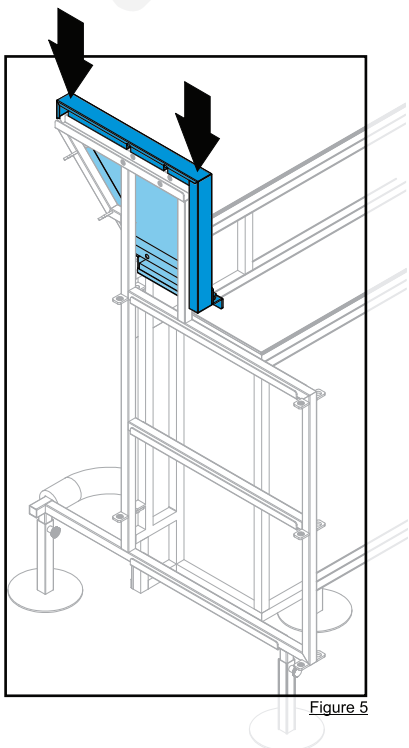


Figure 5

**STEP 6:** Secure the endcap by installing two pins on the side.

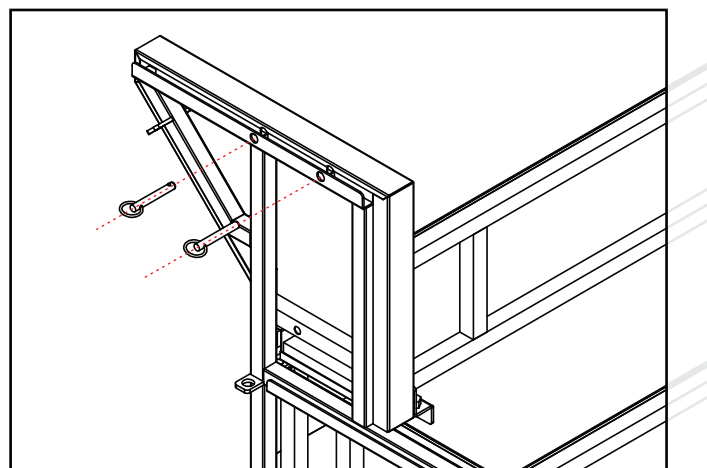


Figure 6

**STEP 7:** Fix in place the endcap by installing the bracket as shown below. Tighten the bracket with the thumbscrew.

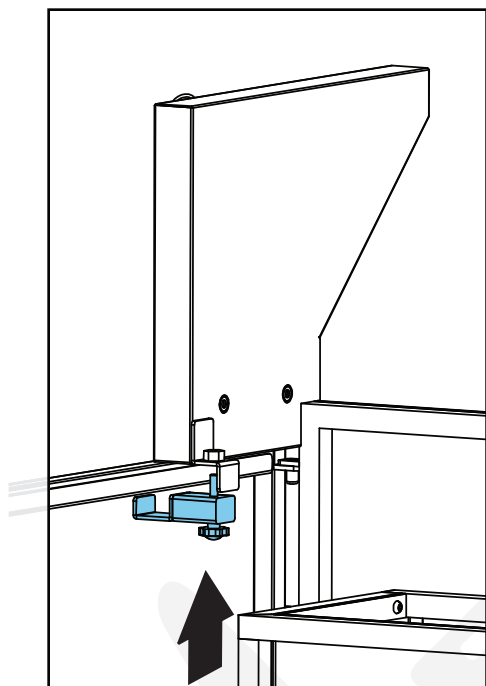


Figure 7

**STEP 9:** Install the speed rail bracket by aligning the posts on the bracket with the tabs on the side frame.

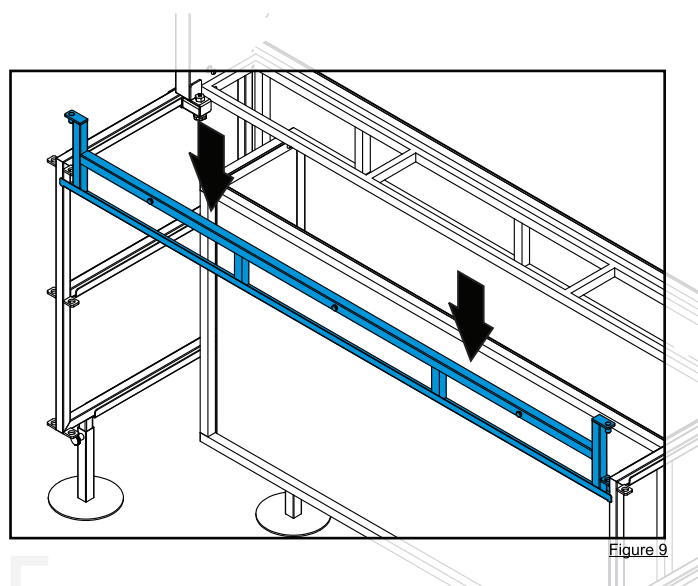


Figure 9

**STEP 8:** To install the counter bracket use the provided hex head screws to fix it in place.

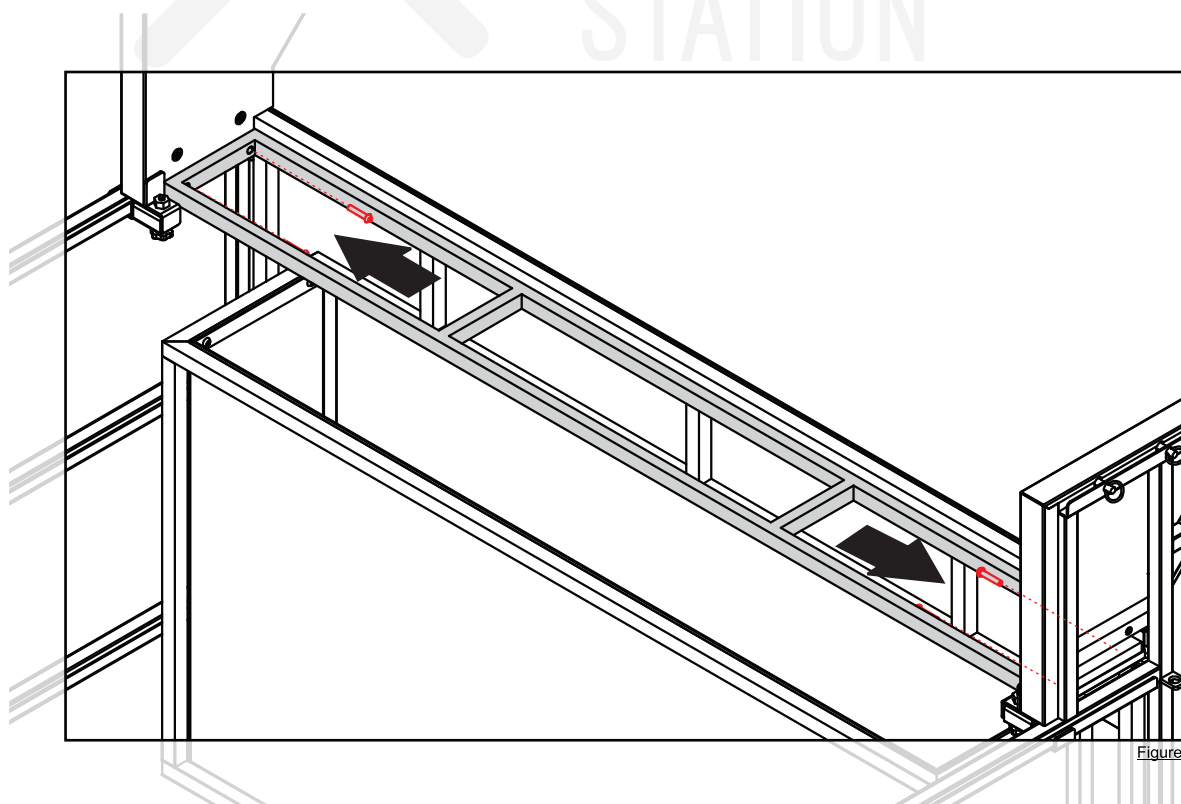


Figure 8

**STEP 10:** Put the shelves in place by sliding them in the side-frame channels.

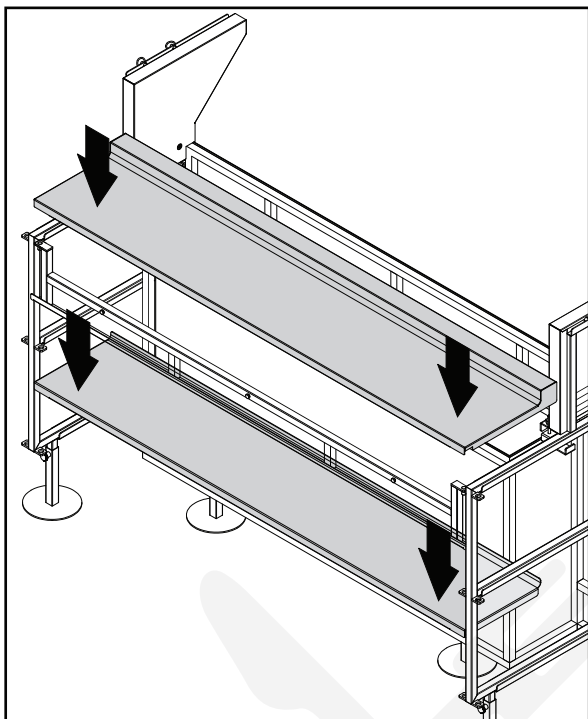


Figure 10

**STEP 11:** Place the counter on top of the side frames by aligning it with the channels on the side frames.

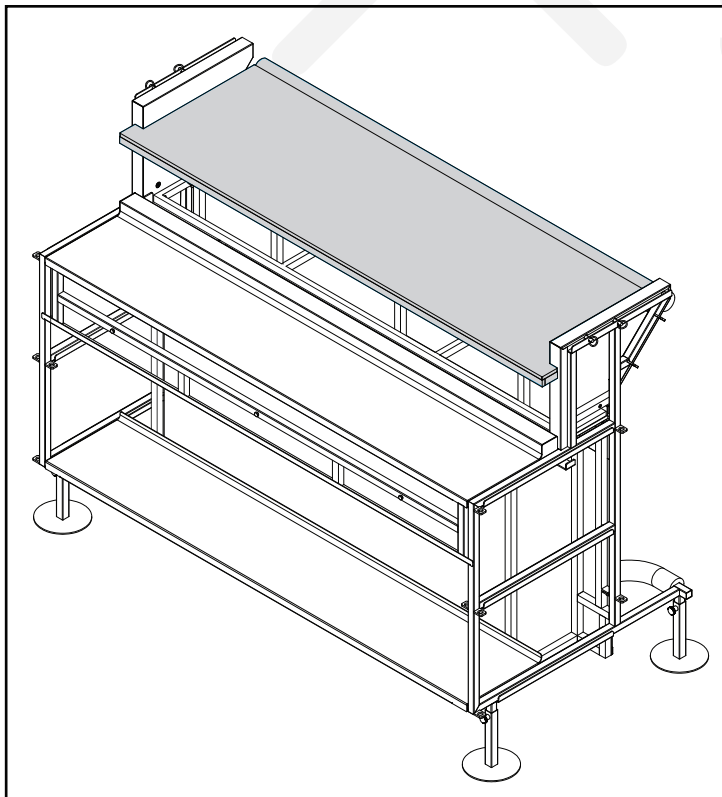


Figure 11

**STEP 12:** Use locking pins to help secure the counter in place, as shown below:

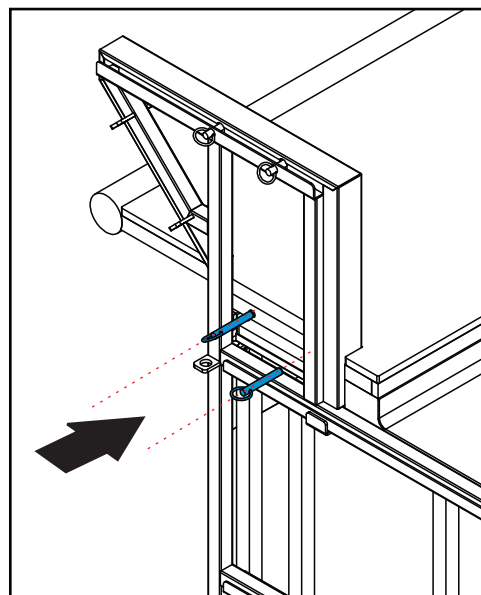


Figure 12

**STEP 13:** Hang the speed rail from the posts located on the bracket, as shown below:

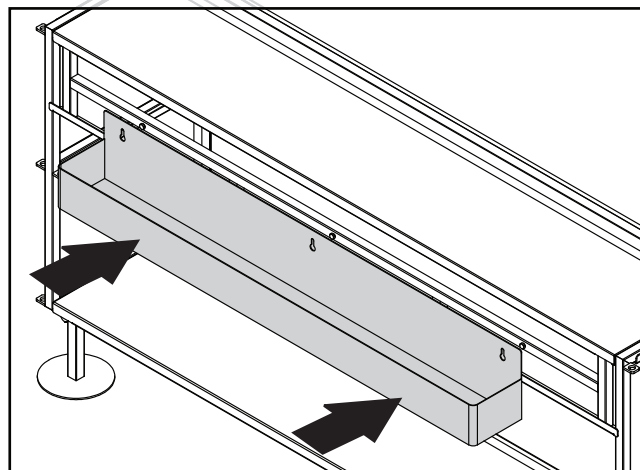
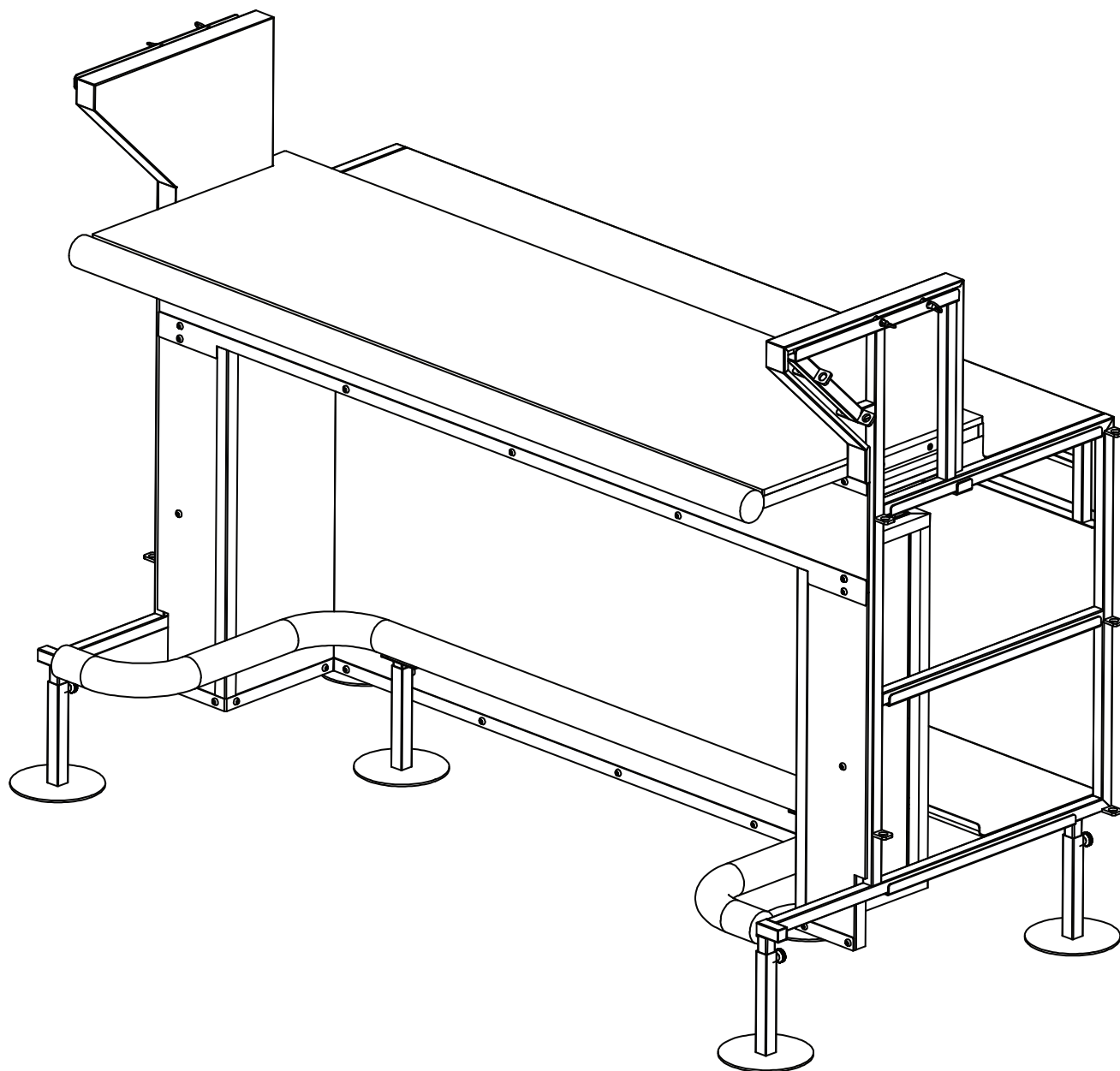
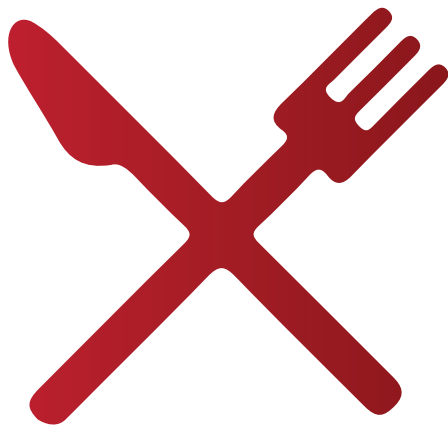


Figure 13

Figure 13







THE  
**HOSTESS**  
STATION

**Contact us**

Tel # 844-873-1400

E-mail: [info@thehostessstation.com](mailto:info@thehostessstation.com)

**Visit us at**

[www.thehostessstation.com](http://www.thehostessstation.com)

